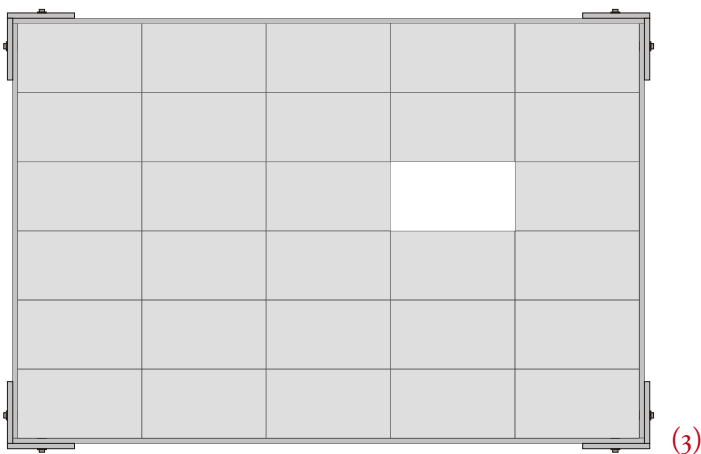
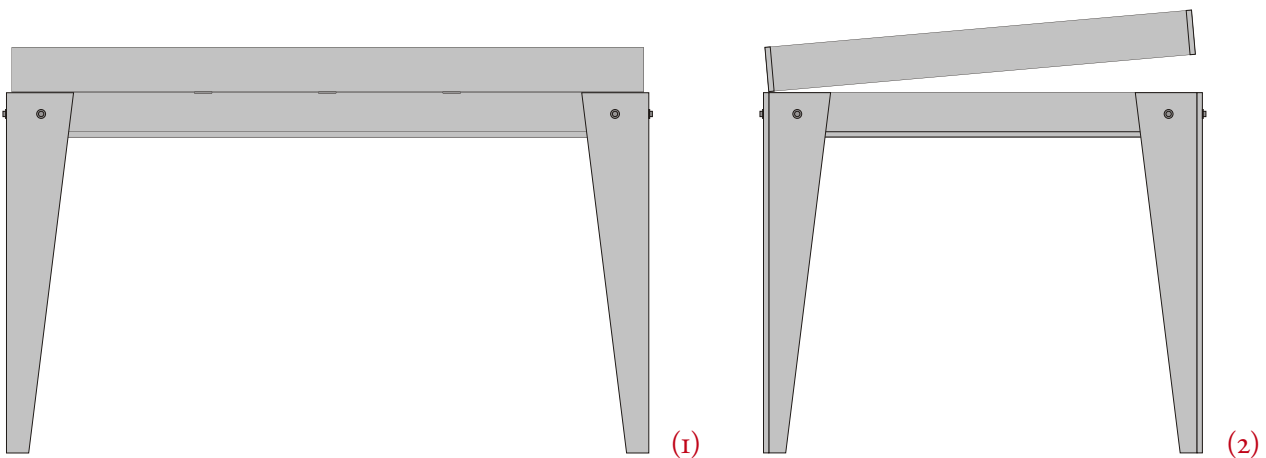


*Theses on the Body Politic (In the Labyrinth)* (forthcoming in 2008)

- › Installation: A series of 29 drawings laser etched on acrylic, a table with a sliding puzzle top
- › Publication: A set of cards based on the drawings, building instructions for a sliding puzzle table
- › Interactive web-piece: A “composer” allows users to make their own rooms and then combine them

In **the installation**, the cards constitute a large sliding puzzle tabletop. Each drawing/card represents one room in a labyrinthine, boundless apartment building. The rooms can be arranged in relation to each other to create an almost infinite set of combinations. **The publication** contains the rooms as separate cards enclosed in a cardboard case. In **the web-project** we offer all the elements we have drawn for the rooms to the public to experiment to produce new rooms and new room combinations.



Left: The game table; (1) front; (2) side;  
(3) tabletop with 29 cards and one empty slot. Facing page: Combined rooms.

